

Ground Bus:

- M6 Stud: main ground to battery
- 30 amp max per terminal
- 125 amp max total load
- #6 fork terminal required

Overall Dimensions:

- 12.5" x 5.5" including mounting flanges
- 1.25" tall

Inputs:

- M6 stud, power input, 125 amp fuse required with a 6 Ga. wire.
- Ignition input activates timer and ignition circuits.
- Reset Terminal: When 12 VDC is present at this terminal the timed outputs shut off.

The installer must install appropriate sized fuses.

Fuses 1-4 Battery Hot Circuits:

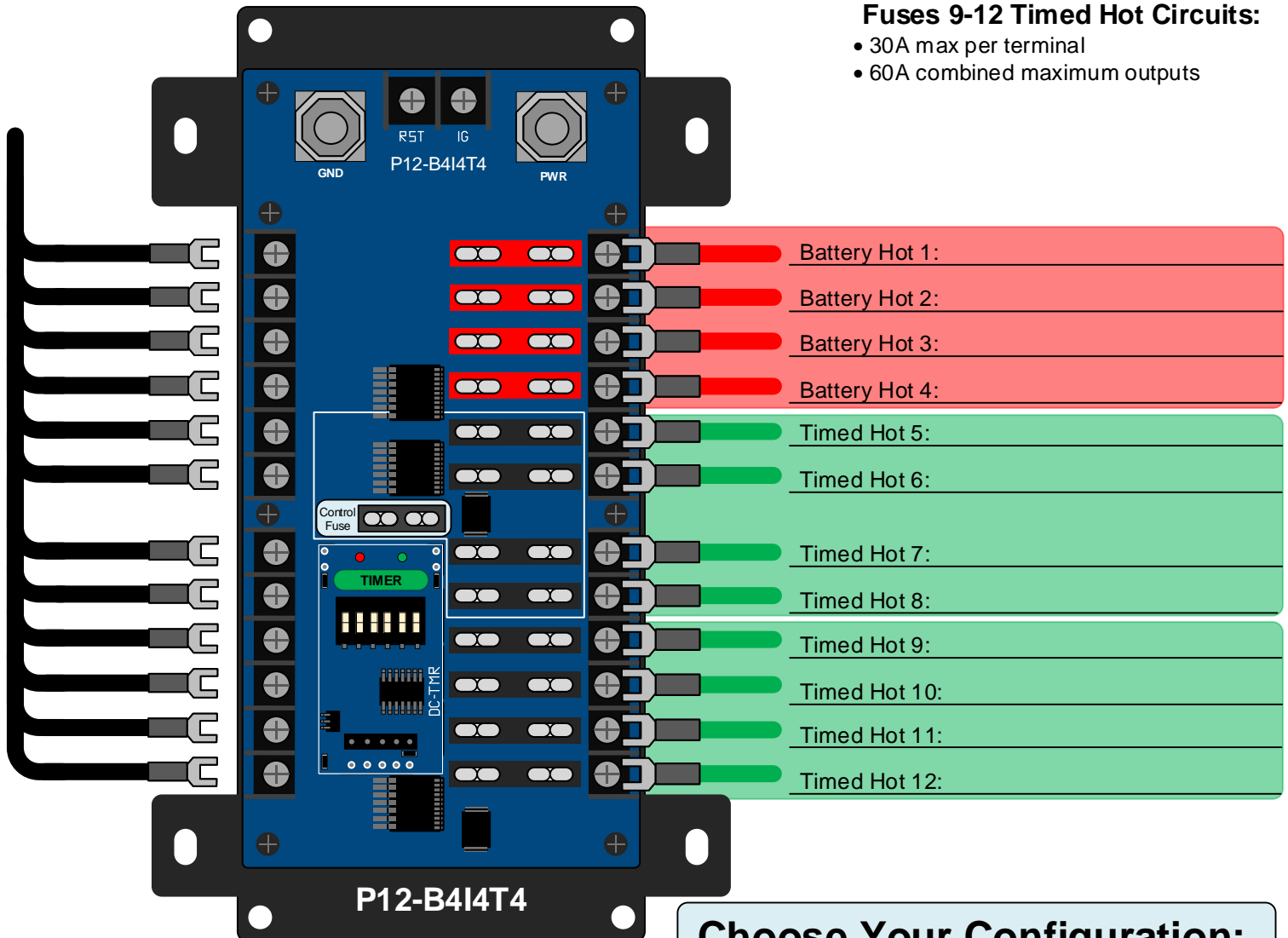
- 30A max per terminal

Fuses 5-8 Timed Hot Circuits:

- 30A max per terminal
- 60A combined maximum outputs

Fuses 9-12 Timed Hot Circuits:

- 30A max per terminal
- 60A combined maximum outputs



Do Not Exceed Torque Setting Damage Will Occur!

- Power and Ground ¼ Inch Studs: 50 in-lb
- Terminals Block Screws Torque: 15 in-lb

The Power 12 has a 125 amp max load.

Choose Your Configuration:

- If the Control Fuse is installed the Timer Card will control outputs 5, 6, 7 & 8.

EFD.051221 ECN.000000

TECHNICAL SUPPORT & SALES CONTACT:

Phone: 844-423-7200
 Email: sales@allfleetsolutions.com
 Web: www.allfleetsolutions.com

