

Battery Hot: Red Circuits

- 8 ATO fuses 30A max per terminal.
- 6 Maxi fuses 50A max per terminal.
- 14 Battery Hot circuits, shown with red highlights.

Master Switch: Blue Circuits

- The MS input pin activates the six blue circuits, 30A per terminal, 60A max total load, ATO fuses.
- If Ignition Control is desired the red jumper should remain installed, and the MS wire is not required.
- If Timed Control is desired a mini fuse should be inserted in the blue fuse holder.
- A 2nd Timer Card can be installed, MS wire not required, to provide a unique timed interval.

Ignition Hot Circuits: Yellow Circuits

- The IGN input pin activates the six yellow circuits, 30A per terminal, 60A max total load, ATO fuses.
- If Timed Control is desired a mini fuse should be inserted in the yellow fuse holder. This group can only be controlled by Timer 1.

Timed Hot Circuits: Green Circuits

- The IGN input pin activates the Timer Card.
- Timer 1 controls the six green circuits, 30A per terminal, 60A max total load, ATO fuses.
- If Ignition or Master Switch control is desired for all 18 circuits the timer card can be set to 1 minute.
- DIP switches 1-4 control the timed interval.
- DIP switch 5 controls the Ignition Optional feature.
- DIP switch 6 controls the low voltage disconnect feature.

Reset Pin RST:

- 12VDC + to the RST pin will shut down the timer.
- A momentary input is recommended.
- The RST pin will clear the LED fault codes.

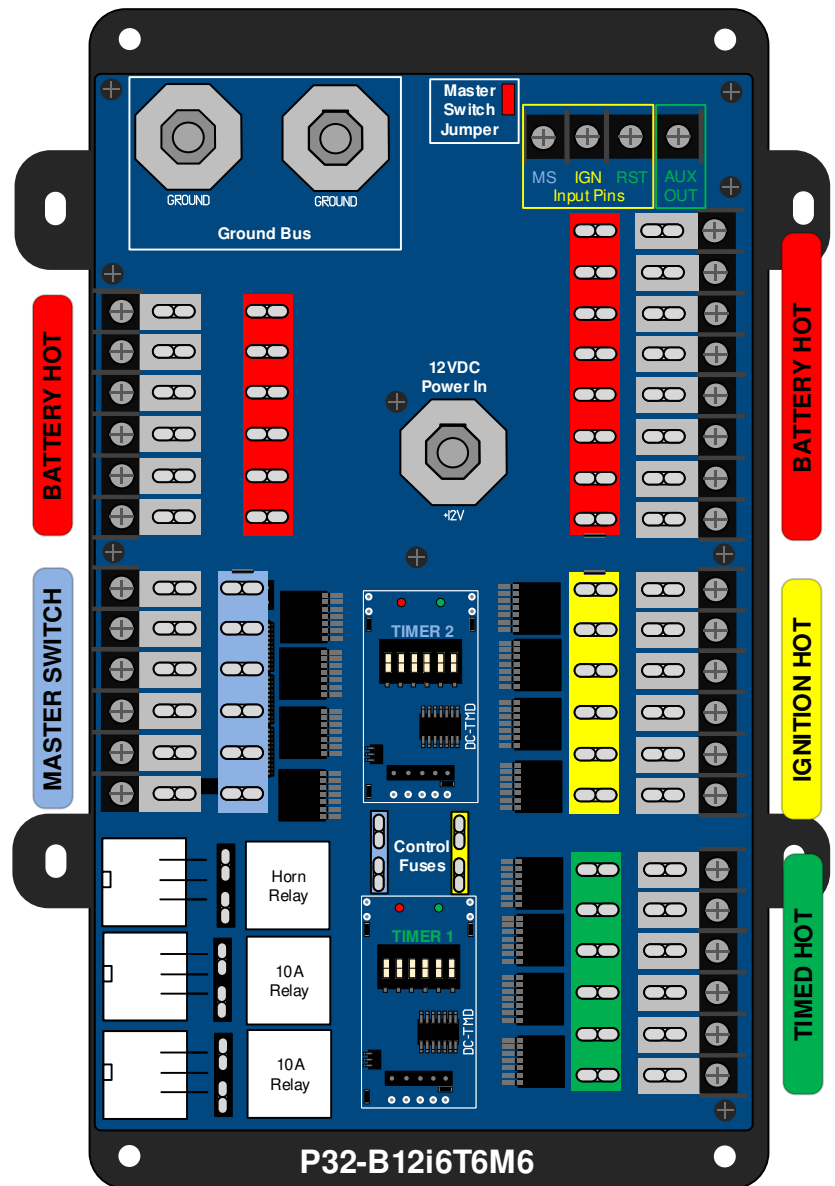
Aux. Out:

- A 5A Aux. Out Circuit is controlled by a distinct timer imbedded on the PCB which is programmed by the two position DIP switch and adjacent programming header.

DC-TMD Timer Card: The timer cards are programmed by the six position DIP switch.

- | | |
|-----------------|---------------|
| • Infinite Mode | • 2:00 Hours |
| • 1 Min | • 2:30 Hours |
| • 5 Min | • 3:00 Hours |
| • 15 Min | • 4:00 Hours |
| • 30 Min | • 8:00 Hours |
| • 45 Min | • 12:00 Hours |
| • 60 Min | • 18:00 Hours |
| • 1:30 Hours | • 24:00 Hours |

The Power 32 has a 125 amp max load.



1 Timer Card is included with Power 32
2nd Timer card can be purchased to allow for different timed shut downs.

TECHNICAL SUPPORT & SALES CONTACT:

Phone: 844-423-7200

Email: sales@allfleetsolutions.com

Web: www.allfleetsolutions.com